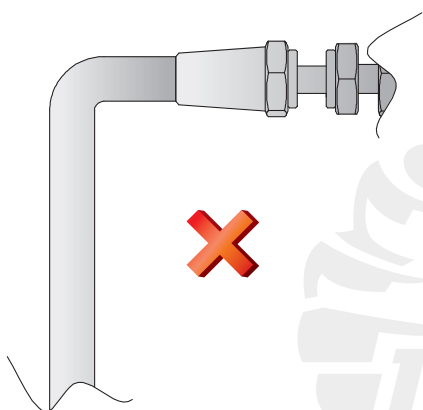
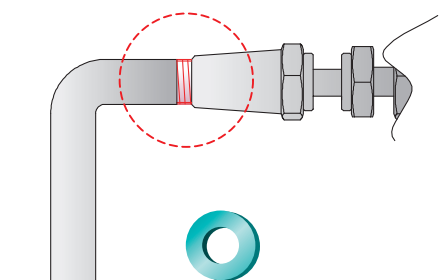
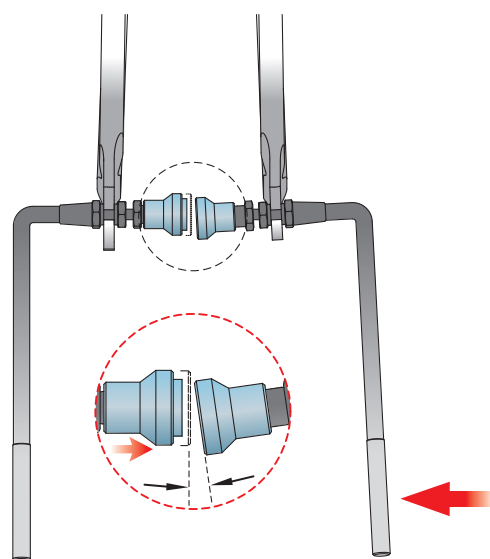


# E341 Frame and Fork End Alignment Tool

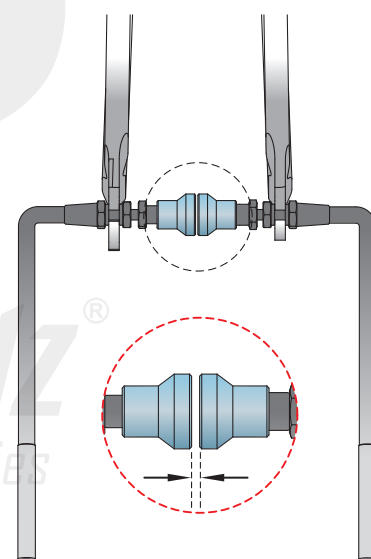
ISO-9001:2008  
QMS Certified



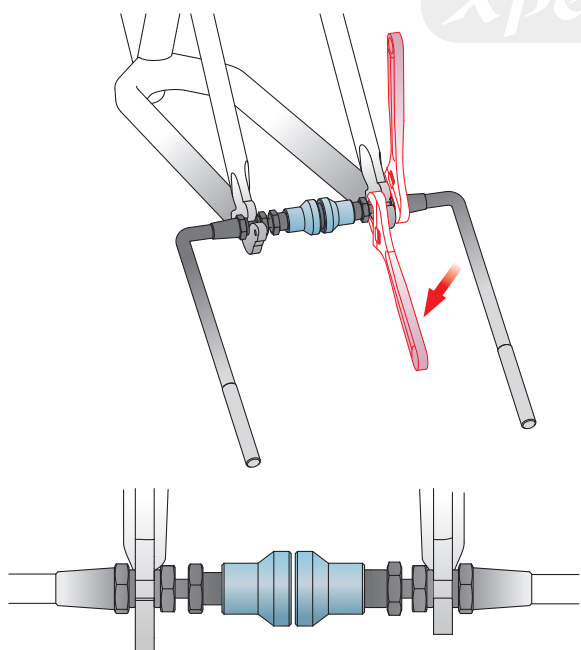
2



3



1



4

